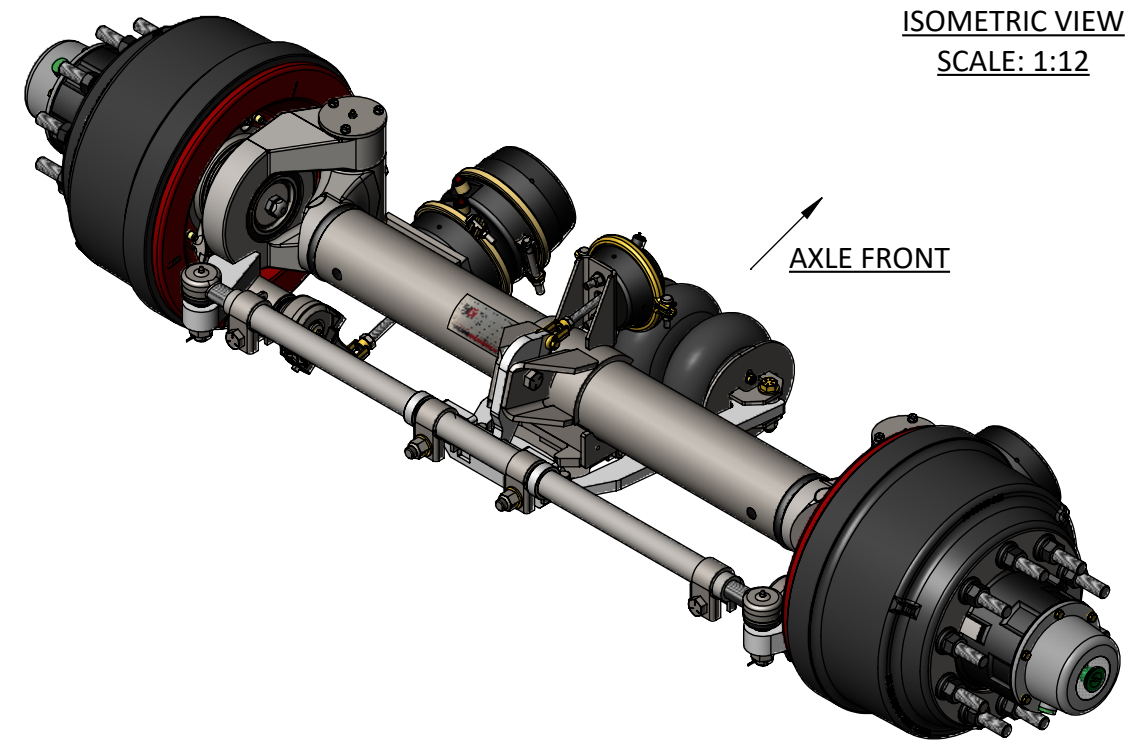
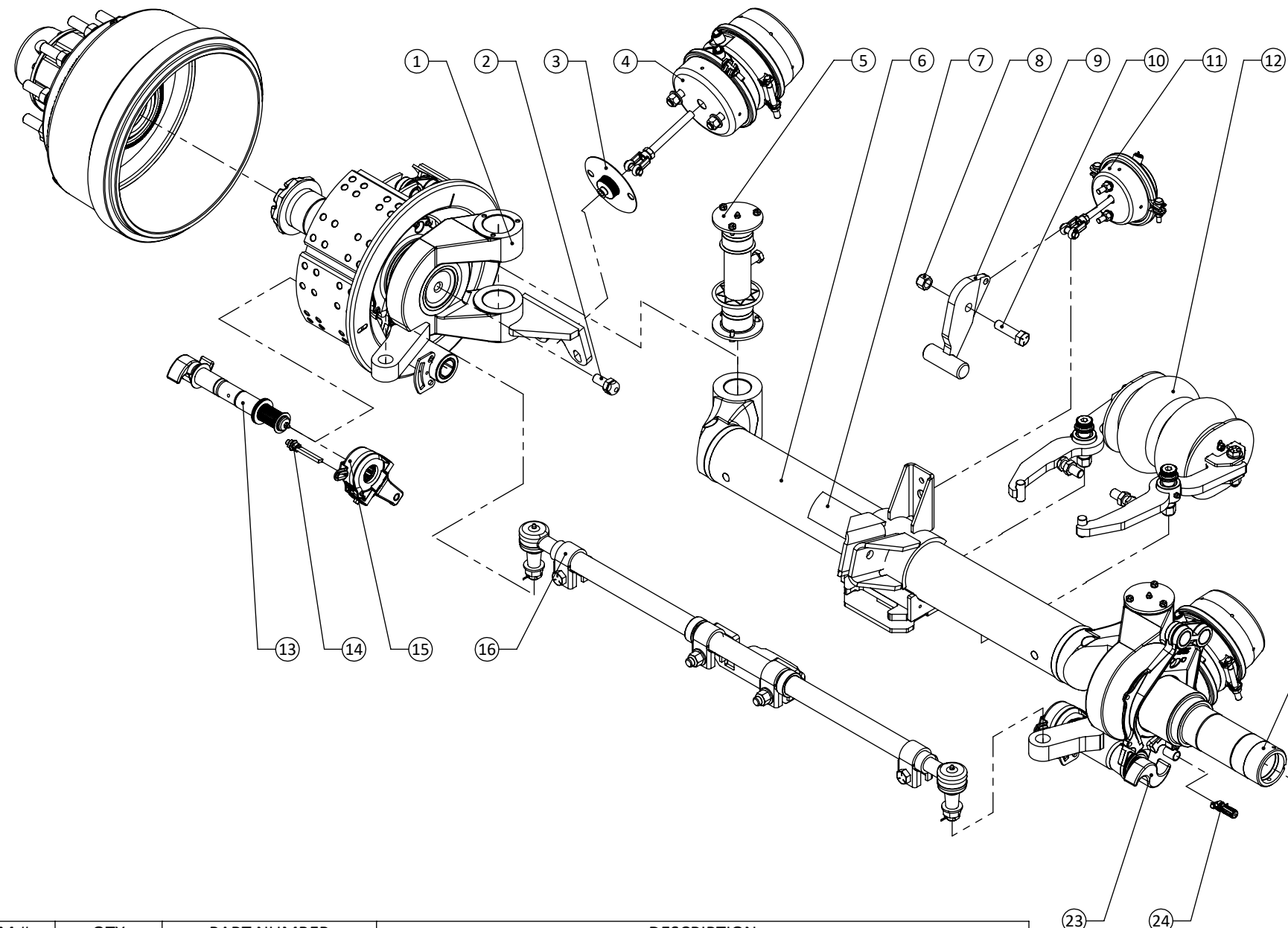


REVISION		DATE	DRAWN BY	APPROVED BY
REV	DESCRIPTION			
PT-1	INITIAL RELEASE	OCT 26, 2021	BLH	SDW



ISOMETRIC VIEW
SCALE: 1:12

ITEM #	QTY	PART NUMBER	DESCRIPTION
1	1	321-0205	SPINDLE END WELDMENT KGS230 P-STYLE ABDS 2.0 PSI LH
2	2	30473	STOP BOLT ASSY ROUND HEAD FOR PSI W/ JAM NUT
3	2	90020	DUST BOOT FOR AIR CHAMBER
4	2	30041	AIR CHAMBER ASSY TYPE 30/30
5	2	30021	KINGPIN ASSY Ø2-1/4" FOR KGS230
6	1	323-0150	AXLE BEAM WELDMENT KGS230 ABDS 2.0 Ø5" OD X 48-7/8" KPC
7	1	90406	TAG KGI SERIAL NUMBER
8	1	90046	NUT NYLOCK Ø3/4"-10 UNC GR5
9	1	20133	LATCH WELDMENT FOR ABDS
10	1	90386	HHCS Ø3/4"-10 UNC X 2-3/4" GR5
11	1	30196	AIR CHAMBER ASSY TYPE 16HD
12	1	30443	ABDS 2.0 DAMPER ASSY
13	1	30155	CAM ASSY Ø1-1/2" X 9-3/4" X 28 SPLINE QPLUS LH
14	2	30042	STUD SLACK ADJUSTER ASSY
15	2	90159	SLACK ADJUSTER Ø1-1/2" X 28 SPLINE STRAIGHT AUTO SELF SETTING
16	1	324-0176	TIE ROD TUBE ASSY ABDS Ø1-3/4" X 44"
17	1	322-0205	SPINDLE END WELDMENT KGS230 P-STYLE ABDS 2.0 PSI RH
18	2	30122	SPINDLE NUT KIT P-STYLE
19	2	30239	DUST SHIELD ASSY FOR Ø16-1/2" X 7" BRAKES AND STEER AXLES
20	2	30508	BRAKE ASSY Ø16-1/2" X 7" FOR REG/QPLUS CAM, 4707 CMB MM RED LINING
21	2	30236	WHEEL END ASSY P-STYLE Ø16-1/2" X 7" BRAKE
22	1	LUB-00003	OIL GEAR 80W-90 SHELL SPIRAX S4 AX
23	1	30156	CAM ASSY Ø1-1/2" X 9-3/4" X 28 SPLINE QPLUS RH
24	2	30289	SENSOR ASSY ABS 90° WITH CLIP

NOTES		
TOE IN:	1/16"	DUAL TIRE
STEERING:	SET AT 20°	
BUL:	3-3/4" CUT	5" CLEVIS CENTER
BRAKES:	7-1/4" CUT	8-1/2" CLEVIS CENTER

ALL INFORMATION SHOWN HEREIN IS THE INTELLECTUAL PROPERTY OF KG INDUSTRIES AND IS SUBMITTED ONLY ON A CONFIDENTIAL BASIS. THE RECIPIENT AGREES THAT NO DISCLOSURE OF THIS INFORMATION WILL BE MADE TO A THIRD PARTY WITHOUT WRITTEN CONSENT OF KG INDUSTRIES.

DO NOT SCALE DRAWING ALL DIMENSIONS ARE IN INCHES UNLESS OTHERWISE SPECIFIED	GENERAL TOLERANCES UNLESS OTHERWISE SPECIFIED X = ±0.030 X° = ±1° .XX = ±0.010 X/X = ±1/16 .XXX = ±0.005	PART FAMILY: KGS1	RAW MAT'L DESC. #1: N/A
		FABRICATION: ASSEMBLY	RAW MAT'L DESC. #2: N/A
		DESIGN BY: BLH DATE: OCT 26, 2021	RAW MAT'L #: N/A RAW MAT'L QTY: N/A
		DRAWN BY: BLH DATE: OCT 26, 2021	PART DESC. #1: AXLE ASSY KGS230 P-STYLE ABDS 2.0 PSI Ø5" OD X 76-5/8" HF
		APPROVED BY: SDW DATE: OCT 27, 2021	PART DESC. #2: Ø16-1/2" X 7" BRAKES, 9-3/4" CAMS
KG INDUSTRIES LTD. PO BOX 1157 OSOYOOS, BC CANADA V0H 1V0 PO BOX 1674 OROVILLE, WA USA 98844		SCALE: 1:12 WEIGHT (LB): 1116 FORMAT: B SHEET: 1/1	PART #: 320-0206-002 REV: PT-1

F
E
D
C
B
A

F
E
D
C
B
A