

AXLE ADJUSTMENT PROCEDURE:

- AXLE ALIGNMENT SHALL BE IN ACCORDANCE WITH SAE OR TMC RECOMMENDED STANDARDS.
- LOOSEN 1.25 INCH NUT AT ECCENTRIC BOLT & REMOVE ANTI-TURN WASHER.
- TO MOVE AXLE: TURN ECCENTRIC BOLT HEAD IN DIRECTION AXLE IS TO BE MOVED. MAXIMUM MOVEMENT FROM 12 O'CLOCK POSITION IS TO 9 OR 3 O'CLOCK POSITION, FORWARD OR REARWARD.
- WITH ECCENTRIC BOLT AT ITS FINAL SETTING, INSTALL ANTI-TURN WASHER OVER ECCENTRIC BOLT HEAD AND WELD TO HANGER. TIGHTEN 1.25 INCH NUT TO SPECIFIED TORQUE.

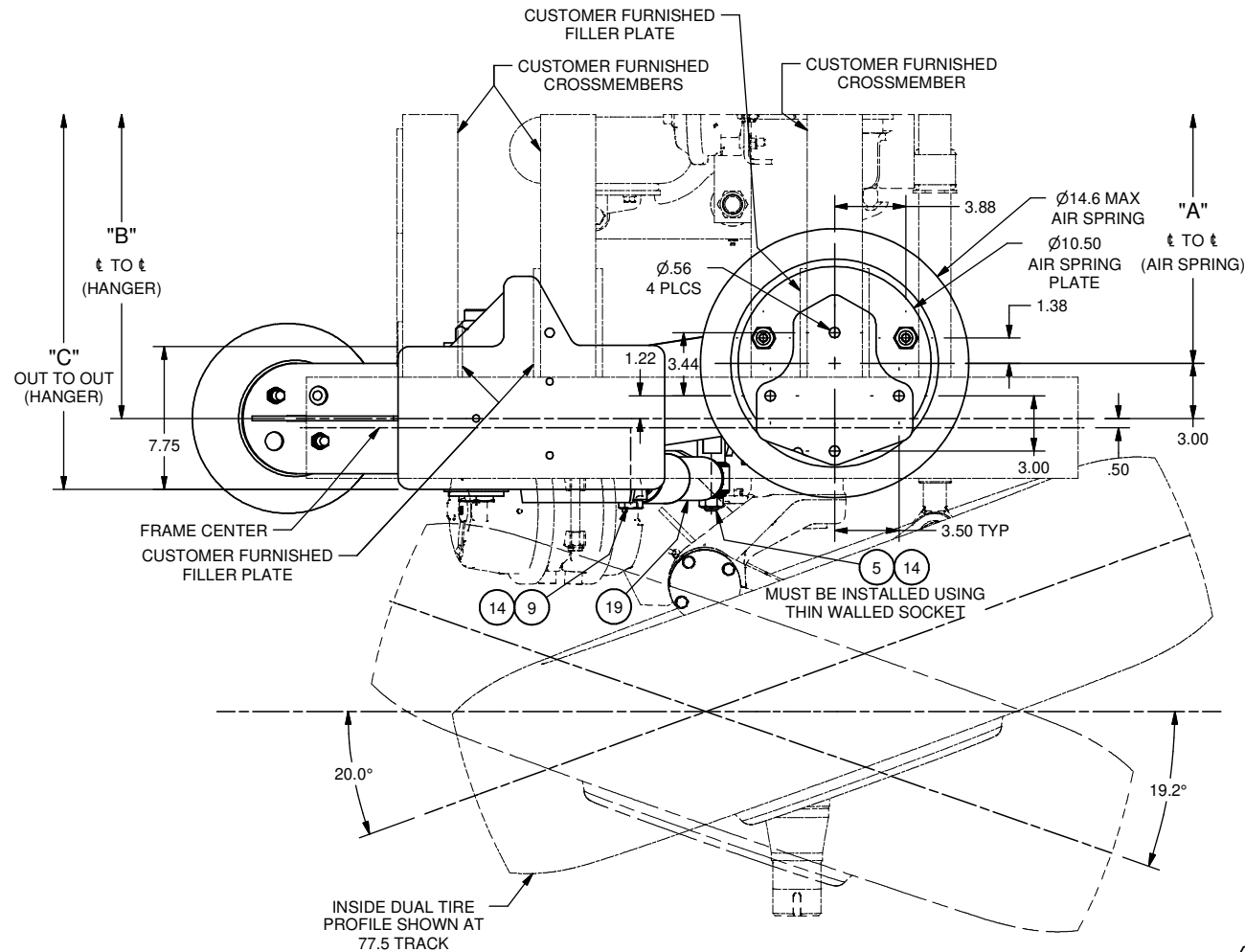
ITEM	SIZE	TORQUE	
		(FT-LB)	(N-M)
PIVOT (Ø1.25 FASTENERS)	1 1/4-7	1000	1356
SHOCK (Ø0.75 FASTENERS)	3/4-10	200	271
AIR SPRING (Ø0.75 FASTENERS)	3/4-16	50	68
AIR SPRING (Ø0.50 FASTENERS)	1/2-13	25	34

NOTES:

- MAIN PIVOT FASTENERS WILL BE SHIPPED WITH MINIMAL TORQUE APPLIED. IT IS THE INSTALLER'S RESPONSIBILITY TO TIGHTEN FASTENERS TO SPECIFIED TORQUE AFTER AXLE IS ALIGNED.
- TORQUE VALUES REFLECT LUBRICATED THREAD CONDITION (NUTS ARE PRE-LUBED).
- SUSPENSION FASTENERS TO BE RETORQUED INITIALLY AT 6,000 MILES (9,656 KM) AND 50,000 MILES (80,467 KM) INCREMENTS THEREAFTER.
- IN THE EVENT OF BUSHING REPLACEMENT, HUCK FASTENERS MAY BE REPLACED WITH 3/4-10 GRADE 8 HARDWARE TORQUED AT 280-330 FT.LB. FOR BUSHING REPLACEMENT ORDER KIT #6040071.
- FOR AXLE TO SUSPENSION WELDING SEE RIDEWELL WELD PROCESS #1.
- SUGGESTED CROSSMEMBER LOCATION AND SIZE ARE GIVEN. SIZE AND SHAPE MAY VARY WITH THE TRAILER DESIGN AND ARE THE RESPONSIBILITY OF THE TRAILER OEM.
- STATED DOWN TRAVEL REFLECTS SUSPENSION WITH SHOCK ABSORBERS AT MAXIMUM EXTENSION AND WITH UNPRESSURIZED AIR SPRINGS. STATED UP TRAVEL REFLECTS SUSPENSION WITH AIR SPRINGS AT BUMPER CONTACT.
- STATED CAPACITY RATING FOR SUSPENSION ONLY. RATING OF AXLE, BRAKES, AND WHEEL END EQUIPMENT PER MANUFACTURER.
- CONTACT RIDEWELL FOR AIR CONTROL KIT OPTIONS.
- INSTALLER MUST SET THE SUSPENSION TO THE SPECIFIED MOUNTING HEIGHT BEFORE TORQUING THE PIVOT BOLT TO PREVENT PRE-LOADING THE RUBBER IN THE BUSHING.
- FAILURE TO BRACE HANGERS FOR LATERAL LOADS VOIDS WARRANTY.
- BEAM ATTACHMENT CENTERS ARE 4" LESS THAN STATED DIMENSION "B".
- OUTSIDE TO OUTSIDE OF AXLE SEATS ARE 5" MORE THAN STATED DIMENSION "B".
- LKS AXLE KINGPIN TO BE VERTICAL AT RIDE HEIGHT PER AXLE MANUFACTURER'S SPECIFICATIONS.

CLEARANCE SPECIFICATIONS:

- a) 1.5 INCH MINIMUM CLEARANCE REQUIRED BETWEEN TOP OF TIRE AND BOTTOM OF TRAILER STRUCTURE WHEN AXLE IS AT BUMPER CONTACT.
- b) 2.0 INCHES MINIMUM CLEARANCE REQUIRED BETWEEN INSIDE OF TIRE AND TRAILER STRUCTURE FOR LATERAL MOVEMENT. (STRAIGHT AXLE INSTALLATION)
- c) 0.75 INCH MINIMUM CLEARANCE MUST BE MAINTAINED AROUND AIR SPRING WHEN IT IS AT MAXIMUM DIAMETER.
- d) INSTALLER TO ENSURE ADEQUATE TIRE CLEARANCE TO TRAILER STRUCTURE WITH WHEEL AT FULL WHEEL CUT ANGLE. (LKS AXLE INSTALLATION)



PARTS REQUIRED FOR 6000346 (CARTON OF PARTS)

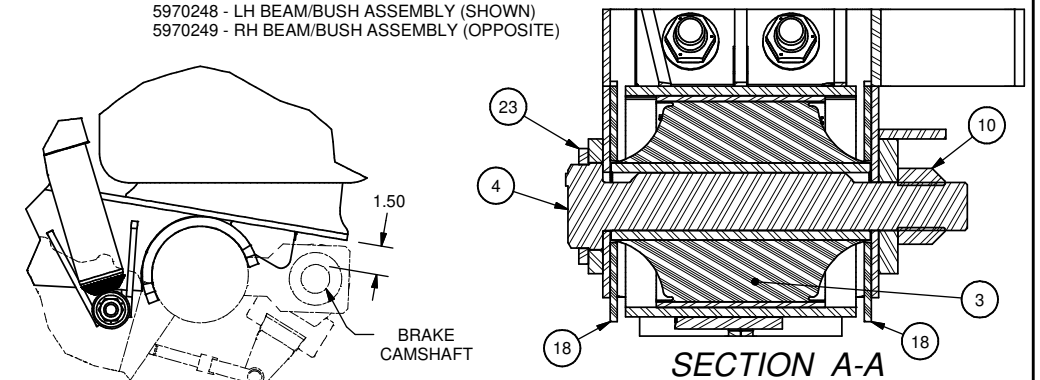
PARTS REQUIRED FOR 3010275 (RH HGR/LBA)

PARTS REQUIRED FOR 3010274 (LH HGR/LBA)

ITEM	PART NO.	DESCRIPTION	QTY	QTY	QTY
1	1000034	AIR SPRING			2
2	100008050G	AIR SPRING 1R14-039			2
3	1110072	BUSH ASSY 70 DURO TAPERED	1	1	
4	1137694B000	ECCENTRIC BOLT (FORGED) 9.5"	1	1	
5	1140008	HHCS 3/4" 10NC 5-1/2 LG GR8 ZN			2
6	1140604B108	HHCS 3/4" 10NC 2-1/2" LG GR8 ZN OR CAD PLATE	2	2	
7	1140674B105	HHCS 3/8" 16NC 1" L			4
8	1145383B105	HHCS 1/2" 13NC 1-1/4" L GRADE 5, ZINC PLATE			4
9	1147698B105	HHCS 3/4" 10NC 3-1/4" L GRADE 5, ZINC PLATE			2
10	1150033	L'NUT 1-1/4"-7UNC -2B HVY	1	1	
11	1150555B112	L'NUT 1/2" 13NC NYL GR2 ZN PLT			4
12	1150558B102	NUT 3/4" 16NF GRD 2			4
13	1150709B105	L'NUT 3/4" 10NC OVL 3/4" HI WAX	2	2	
14	1157711B105	L'NUT 3/4" 10NC TP-LK FLG			4
15	1160556B100	L'WASHER 1/2" S/T MED ZINC PLATE			4
16	1160675B100	L'WASH 3/8" S/T MED			4
17	1167140B100	WASHER 3/4" A-325 FLAT (F436) ZN PL	2	2	
18	1167680B000	WEAR WASH, UHMW-PE, BLACK	2	2	
19	1270563B003	SHOCK ASSY 6" MONROE			2
20	3260556	HANGER ASSY - LH	1		
	3260557	HANGER ASSY - RH		1	
21	3450113	AIR SPRING SPACER 4.19" TALL			2
22	4280150	BEAM ASSY - LH	1		
	4280151	BEAM ASSY - RH		1	
23	9003092B000	ANTI-TURN WASHER			2

* ITEMS ARE INCLUDED IN PARTS BAG 1800021

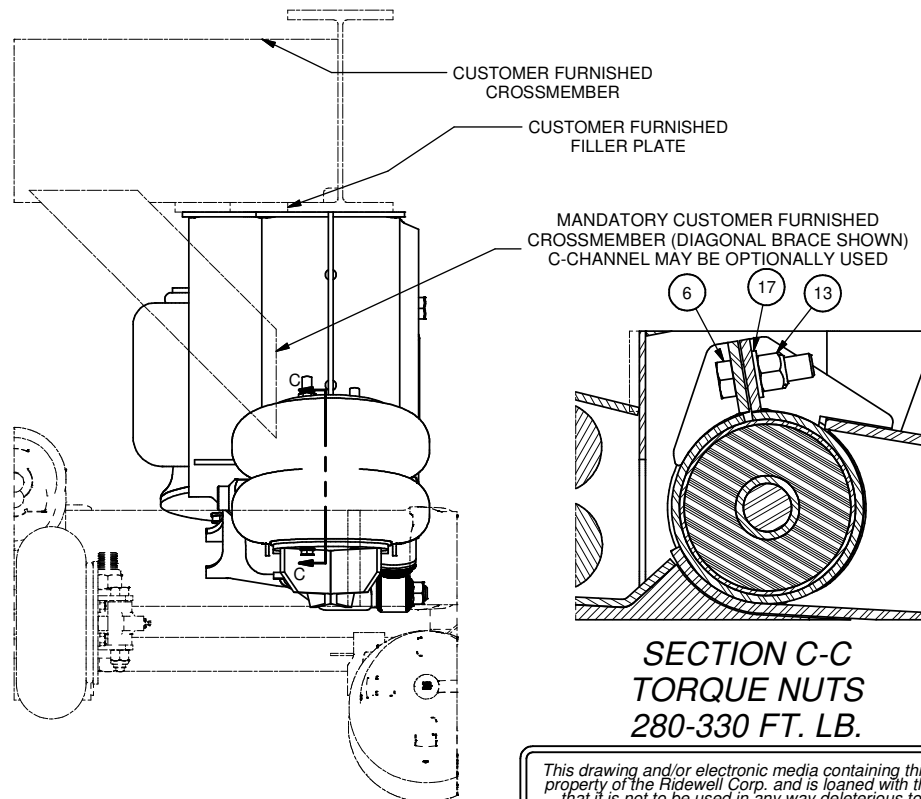
REFERENCE NOTE FOR ORDERING BEAM/BUSH ASSY:
 5970248 - LH BEAM/BUSH ASSEMBLY (SHOWN)
 5970249 - RH BEAM/BUSH ASSEMBLY (OPPOSITE)



DETAIL B
 18 INCH MOUNTING HEIGHT SHOWN
 *STRAIGHT AXLE SHOWN

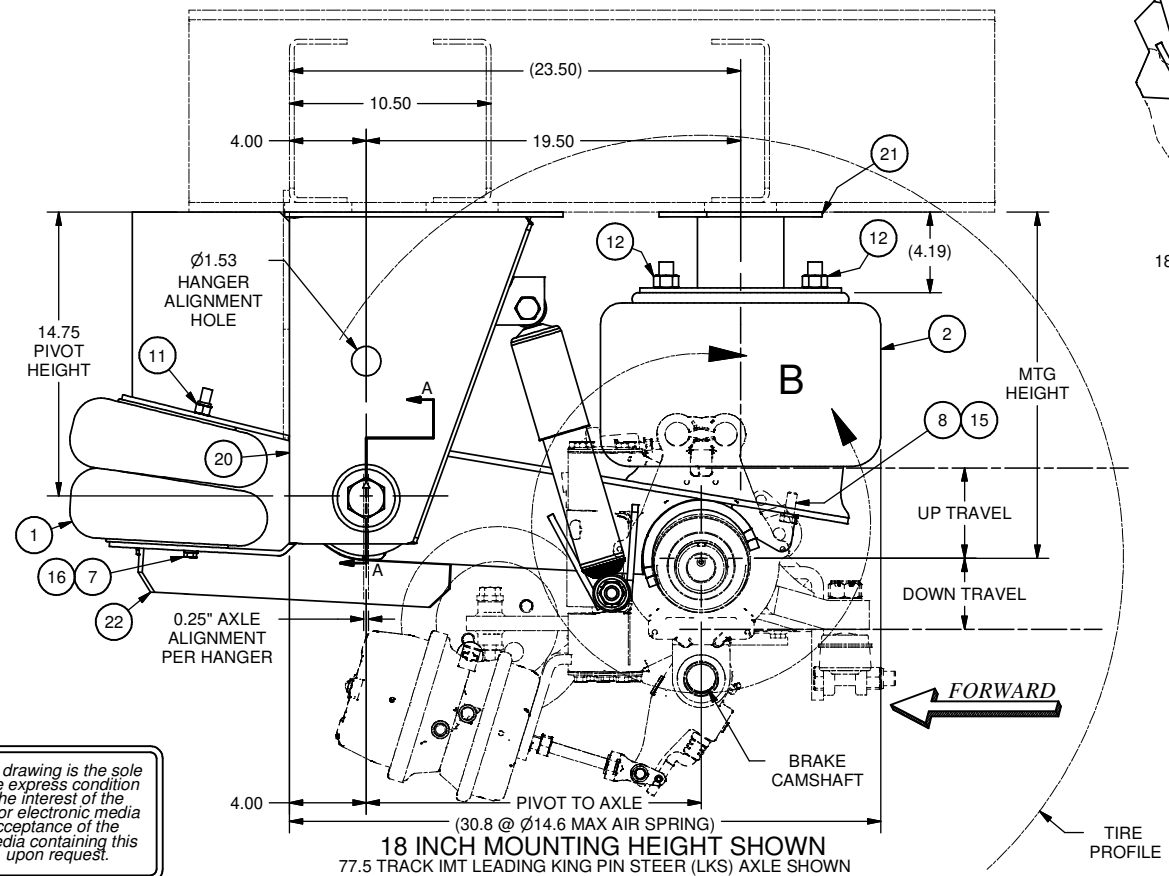
*MAY BE USED WITH STRAIGHT AXLES ONLY IN THE FOLLOWING APPLICATION:
 A LIFTABLE, LEAD AXLE POSITION WHERE THE LEAD AXLE IS NOT SPREAD FROM THE PRIMARY GROUP BY MORE THAN THE PRIMARY AXLE SPACING.

MODEL NUMBER	MTG HEIGHT	UP TRAVEL	DOWN TRAVEL	PIVOT TO AXLE	
RAR-240LKS-1-18-25-OSW	18.0" 19.0"	4.7" 5.7"	3.7" 2.7"	17.45" 17.23"	* SUPER SINGLE TIRES *
TRACK WIDTH (IN)	71.50		77.50		84.0"
	LKS	NON-STEER	LKS	NON-STEER	LKS
DIMENSION "A" (IN)	21.00	29.00	27.00	35.00	33.50
DIMENSION "B" (IN)	27.00	35.00	33.00	41.00	39.50
DIMENSION "C" (IN)	34.69	42.69	40.69	48.69	47.19



SECTION C-C
 TORQUE NUTS
 280-330 FT. LB.

This drawing and/or electronic media containing this drawing is the sole property of the Ridewell Corp. and is loaned with the express condition that it is not to be used in any way deleterious to the interest of the Ridewell Corp. The acceptance of this drawing and/or electronic media containing this drawing will be construed as an acceptance of the foregoing conditions. Drawings and/or electronic media containing this drawing are to be returned to the Ridewell Corp. upon request.



REV	PROJECT	DESCRIPTION	DATE	BY	CHK	APPD
DRAWN BY:	PMB	05/17/2022				
CHECKED:	GWH	5/25/2022				
APPROVED:	CJB	5/27/2022				
PROJECT NO:	2756	SCALE:	B - SIZE	NTS		
MATERIAL:	SEE B.O.M	D - SIZE	NTS			
TOLERANCES UNLESS OTHERWISE SPECIFIED:						
DECIMAL:	X ± 0.1	FRACTION:	± 1/16			
	XX ± 0.06	ANG:	± 1°			
	XXX ± 0.030	XXX:	KCC			
		*WELD TOLERANCES PER ISO WD45-02				

RIDEWELL CORPORATION
 PO BOX 4586 SPRINGFIELD, MISSOURI 65808

25,000 LB. CAPACITY
LKS AXLE, OVERSLUNG SUSPENSION
RAR-240LKS-1-18-25-OSW (W/ LIFT)

SHEET 1 OF 1
 PART NO: **2401087**
 REV: -