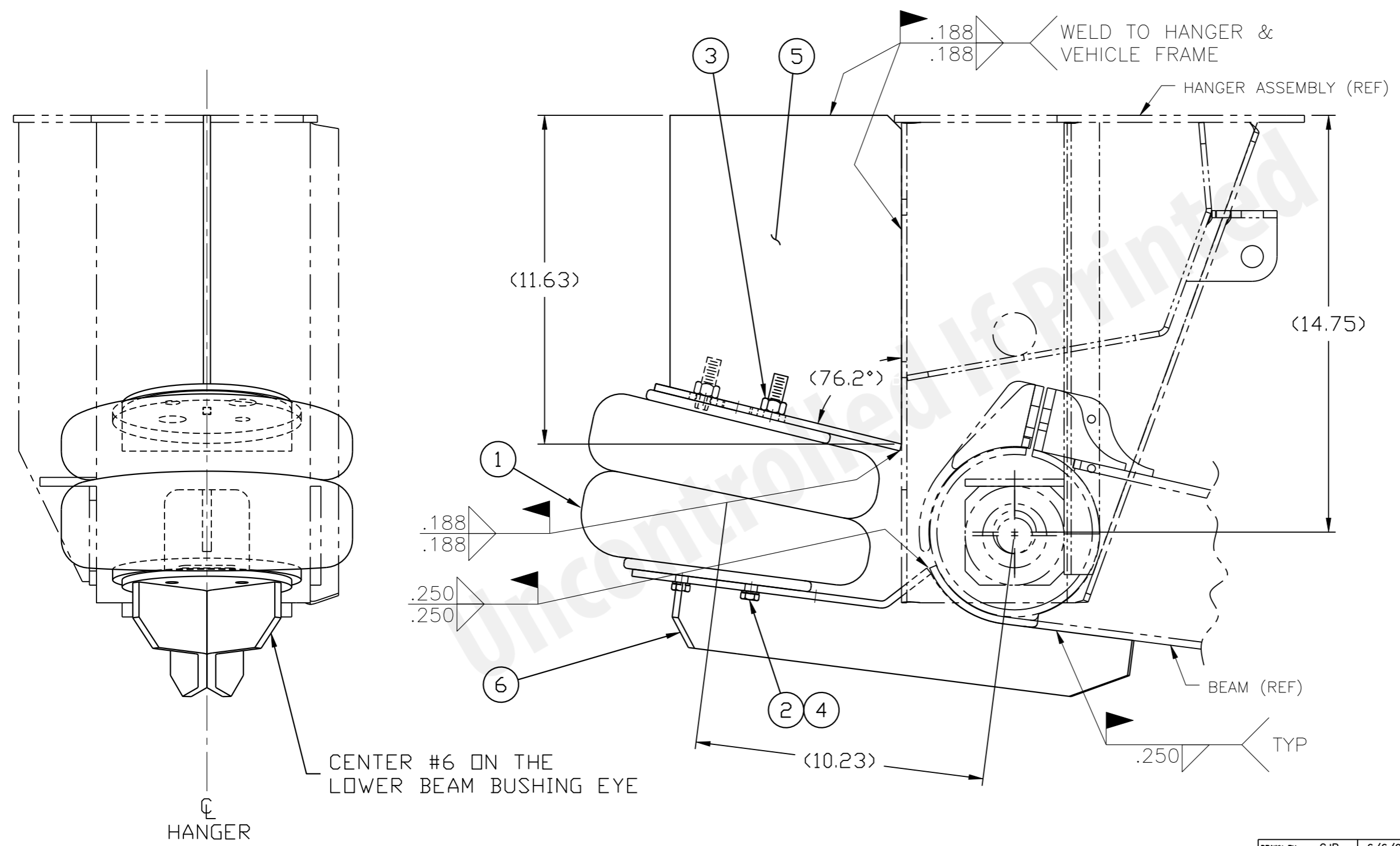


ITEM	NUMBER	DESCRIPTION	QTY
1	1000034	AIR SPRING	2
2	1140674B105	HHCS, .375-16NC X 1 LG	4
3	1150555B112	L'NUT 0.5-13NC, NYLON	4
4	1160675B100	L'WASHER, .375 S/T ME	4
5	5970199	UPPER LIFT PLATE ASSEMBLY	2
6	5970186	LIFT ARM ASSEMBLY	2

NOTES:  
1. TORQUE ALL FASTENERS TO 25 FT-LBS.



This drawing and/or electronic media containing this drawing is the sole property of the Ridewell Corp. and is loaned with the express condition that it is not to be used in any way deleterious to the interest of the Ridewell Corp. The acceptance of this drawing and/or electronic media containing this drawing will be construed as an acceptance of the foregoing conditions. Drawings and/or electronic media containing this drawing are to be returned to the Ridewell Corp. upon request.

REV	PROJ/ECR	DESCRIPTION	DATE	BY	APPD	CHK
B	FT1886	ITEM 1 WAS P/N 1003586948C	7/14/2020	GWH	AAS	BC
A	15101	CHANGED REAR CHAMFER ON LIFT ARM ASSY	5/5/15	G.H.	MDJ	CJB

DRAWN BY:	CJB	6/6/05
CHECKED:	MDJ	6/8/05
APPROVED:	CJB	6/8/05
PROJECT NO:	05109	
SCALE:	B-SIZE: 1:4 D-SIZE: -	
MATERIAL:	AS NOTED	WEIGHT: -
TOLERANCES UNLESS OTHERWISE SPECIFIED: DECIMAL: .X ±0.1    FRAC: ±1/16 .XX ±0.06    ANG: X ±1' .XXX ±0.030    CHAM: X ±.005 *WELD TOLERANCES PER ISO W045-02		

**RIDEWELL CORPORATION**  
PO BOX 4586 SPRINGFIELD, MISSOURI 65808

TITLE: LIFT KIT 2400087

SHEET 1 OF 1    PART NO: **2990087**    REV: **B**